

Semi-Automatic Screen Filter

2", 2½" & 3"

The Semi-Automatic Screen Filter is a durable and efficient filtration solution. Made from a chemically bonded polymer, it offers long-lasting performance while being easy to install and maintain. With a simple handle mechanism for cleaning, the filter operates under system pressure to ensure uninterrupted filtration. Its non-corrosive stainless-steel mesh enhances durability, making it ideal for primary filtration in agricultural water systems.



HIGHLIGHTS

- **Durable Polymer Body:** Chemically bonded for long-lasting strength.
- **Stainless Steel Mesh (SS-316):** Corrosion-resistant and reliable for consistent filtration.
- **Simple Cleaning Mechanism:** Handle rotation system allows for easy, online cleaning without stopping water flow.
- **Clogging Indicator:** Red button pops up when cleaning is needed based on pressure differential.
- **Multiple Connection Options:** Available in 2", 2½" & 3" BSP/NPT male thread connections.
- **Low Maintenance:** Easy to clean and operate, with minimal upkeep required.

APPLICATIONS

- **Farm Irrigation:** Provides efficient filtration for water systems in agricultural operations.
- **Primary Water Filtration:** Can be used for primary filtration in place of sand media filters for small farm holdings.



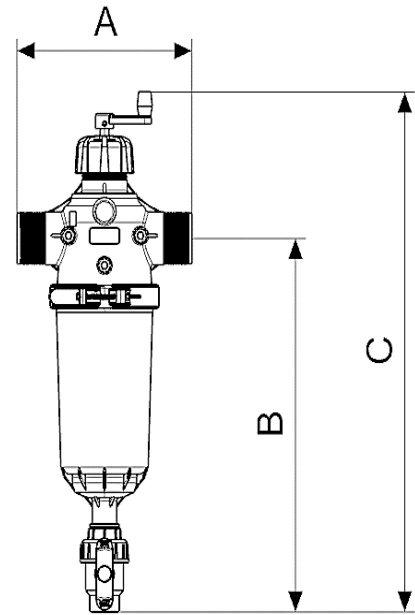
Technical Data

Filter Models Screen		HT-524T-SA	HT-525T-SA	HT-526T-SA
Inlet /Outlet Connection		2"/50mm	2½"/65mm	3"/80mm
Connection Type		Threaded (BSP/NPT) / Grooved / Flanged		
*Maximum Flow Rate	M³/HR	25	30	40
	GPM	110	132	176
Maximum Working Pressure	BAR	PPGF - 8 / PAGF - 10		
	PSI	PPGF - 116 / PAGF - 145		
Filtration Surface Area (Screen)	CM²	800	800	1200
	INCH²	124	124	186
Minimum Flushing Pressure	BAR	1.5		
	PSI	22		
Filtration Degree (Screen)	Mesh	150 / 120 / 80		
	Microns	100 / 130 / 200		
Material of Construction		All Polymeric /NBR / St.St.		
Screen Material		St.St.		
Flush Port		2" - Male Threaded Port (with Flush valve)		

*Flow depends on water quality.

Product Dimensions

Dimensions		HT-524T-SA	HT-525T-SA	HT-526T-SA
A	CM	34		
	INCH	13.5		
B	CM	58.5	65	66
	INCH	23	25	26
C	CM	86	95	96
	INCH	34	38	38



Head Loss Chart

